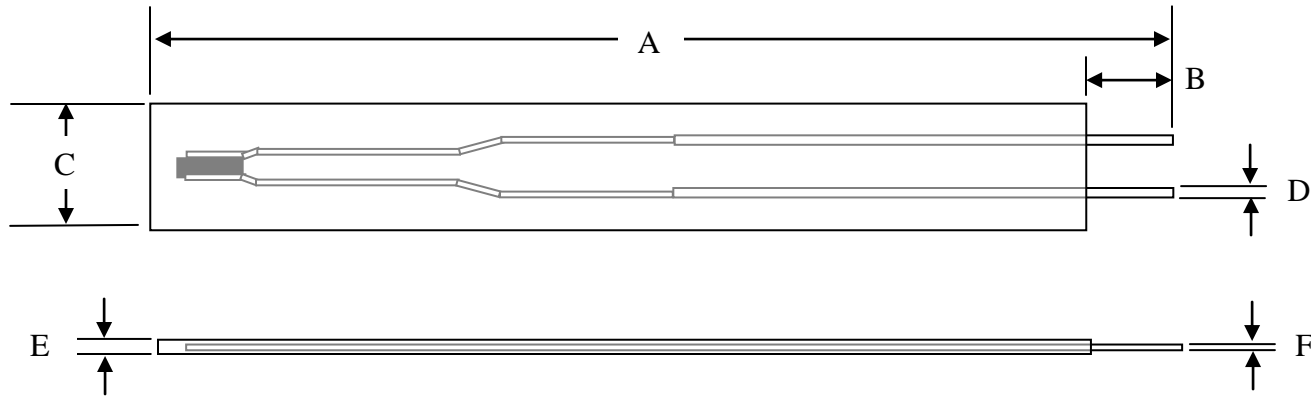


Part Number: TR0525 103343




Electrical Specifications

Resistance @ 25° C	10 kΩ ±1%
Beta (25/85)	3435°K ±1%
Operating Temperature Range	-50°C to 125°C
Dissipation Constant	0.7 mW / °C
Thermal Time Constant	5 seconds in air
Max Rated Power @ 25°C	3.5 mW

Mechanical Specifications

A	25mm ±1mm
B	5mm ±1mm
C	3.6mm ± 0.5mm
D	0.5mm ± 0.04mm
E	0.5mm max
F	0.17mm ±0.02mm
Lead Wire	Tin Plated 42 Alloy
Film	Polyimide film

Rev:	Date:	Change:
0	3/14/17	Issue

DRAWN BY: C. Terry		 AMETHERM <i>Circuit Protection Thermistors</i>
DATE: 3/4/17	REV: 0	
ORIG. M.Samii	APPR: M. Samii	NTC THERMISTOR PROBE
SHEET 1 of 2		TR0525 103343

RESISTANCE - TEMPERATURE

TEMPERATURE (°C)	RESISTANCE (kΩ)
-50	367.7
-40	204.7
-30	118.5
-20	71.02
-10	43.67
0	27.70
10	18.07
20	12.11
30	8.301
40	5.811
50	4.147
60	3.011
70	2.224
80	1.668
90	1.267
100	0.9753
110	0.7597
120	0.5981
125	0.5331

DRAWN BY: C. Terry

DATE: 3/4/17

ORIG. M.Samii

SHEET 2 of 2

REV: 0

APPR: M. Samii

AMETHERM
Circuit Protection Thermistors

NTC THERMISTOR PROBE

TR0525 103343